

# 法兰截止阀

## 产品概述 Product overview

法兰截止阀它依靠阀杆压力，使阀瓣密封面与阀座密封面紧密结合，防止介质流通。在启闭过程中密封面之间摩擦力小，耐磨，开启高度小，制造工艺性能好等特点。它是工业部门等使用最广泛的一种阀门。

Flange valve it rely on stem pressure, sealing surface and the valve seat valve sealing surface closely, prevent medium circulation. Friction between the sealing surface during the process of opening and closing, wear resistance, small open height, good manufacturing process performance. It is the most widely used, such as industrial department of a valve.

## 产品特点 Product features

- 截止阀的结构较简单，制造和维修都比较方便。
- 密封面不易磨损、擦伤、密封性能较好，寿命较长。
- 启闭时阀瓣行程较小，启闭时间较短。
- cut-off valve structure is relatively simple, manufacture and maintenance are convenient.
- Low sealing surface is not easy to wear, abrasion, sealed performance is good, service life is long.
- Small low opening and closing the valve stroke, opening and closing time is shorter.

## 产品采用标准 Product Specification

设计标准 Design standard	结构长度 Structural length	连接法兰 Flanged ends	试验和检验 Inspection and test	压力 - 温度 Pressure Temperature
GB 12235	GB 12221	JB 79	GB/T 13927 JB/T 9092	GB 9131

## 压力试验 Pressure test (MPa)

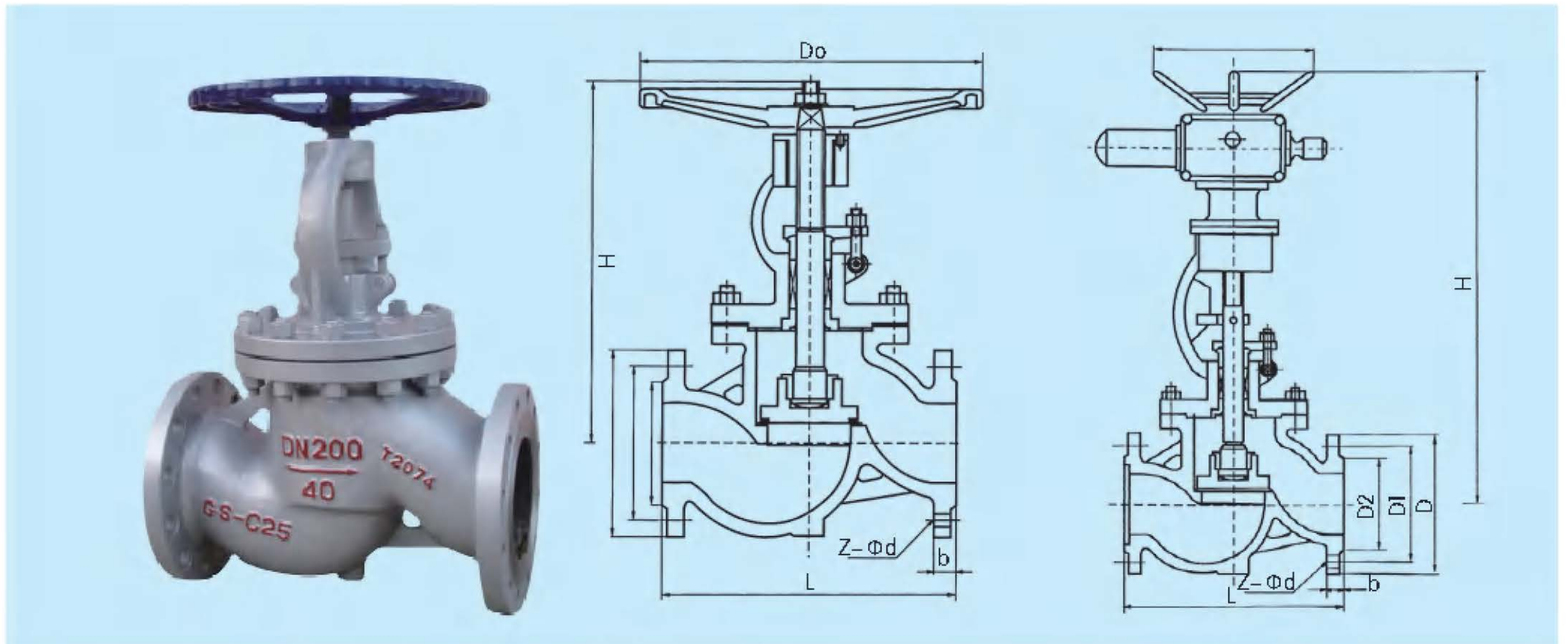
公称压力 Nominal Pressure	1.6	2.5	4.0	6.4	10.0	16.0
强度试验 Strength test	2.4	3.75	6.0	9.6	15.0	24.0
水密封试验 Water Seal Test	1.76	2.75	4.4	7.04	11.0	17.6
上密封试验 Backseat Test	1.76	2.75	4.4	7.04	11.0	17.6
气密封试验 Air Seal Test	0.4~0.7					

## 主要零件材料及性能 Main Part Materials and Property

体盖板 Body Cover Disc	阀杆 Stem	密封面 Sealing Face	垫片 Sealing Shim	填料 Packing	工作温度℃ Working Temperature	适用介质 Suitable Medium
WCB	2Cr13	13Cr STL 本体材料 With Body Material FTFE 尼龙 Nylon	增强柔性石墨 1Cr13/ 柔性石墨 08 软钢 Reinforced flexible graphite 1Cr13 / flexible graphite 08 mild steel	柔性石墨 增强柔性石墨 Flexible graphite Reinforced flexible graphite	≤ 425	水 蒸汽 油品 Water Steam Oil
WC1	38CrMoAl 25Cr2MoV				≤ 450	
WC6					≤ 540	
WC9					≤ 570	
ZGCr5Mo					≤ 540	
ZG1Cr18Ni9Ti					1Cr18Ni9Ti	
ZG1Cr18Ni9Ti 12Mo2Ti	1Cr18Ni 12Mo2Ti	0Cr18Ni9Ti 0Cr18Ni12Mo2Ti XS550F(T) PTFE	SFB/260 SFP/260 PTFE	≤ 200	硝酸类 Acetic Acid	



# 法兰截止阀



主要外形尺寸 ( mm ) Main External and Connection Dimension

型号 Type	DN	L	D	D1	D2	b	Z-φd	手动 manual		电动 Electric	
								H	D0	H	D0
J41H/W/B/Y -16C/P/R/I J941H/W/B/Y -16C/P/R/I	15	130	95	65	45	16	4-φ14	218	120		
	20	150	105	75	55	16	4-φ14	258	140		
	25	160	115	85	65	16	4-φ14	375	160		
	32	180	135	100	78	18	4-φ18	280	180		
	40	200	145	110	85	18	4-φ18	330	200		
	50	230	160	125	100	18	4-φ18	350	240	645	365
	65	290	180	145	120	18	4-φ18	400	280	690	365
	80	310	195	160	135	20	8-φ18	355	280	715	365
	100	350	215	180	155	22	8-φ18	415	320	770	365
	125	400	245	210	185	24	8-φ18	460	360	780	365
	150	480	280	240	210	24	8-φ23	510	400	810	365
	200	600	335	295	265	26	12-φ23	710	400	967	470
250	730	405	355	320	30	12-φ23	766	450	1143	470	
300	750	460	410	375	30	12-φ23	925	500	1292	550	
J41H/W/B/Y -25P/R/I J941H/W/B/Y -25P/R/I	15	130	95	65	45	16	4-φ14	218	120		
	20	150	105	75	55	16	4-φ14	258	140		
	25	160	115	85	65	16	4-φ14	275	160		
	32	180	135	100	78	18	4-φ18	280	180		
	40	200	145	110	85	18	4-φ18	330	200		
	50	230	160	125	100	20	4-φ18	350	240	645	365
	65	290	180	145	120	22	4-φ18	400	280	690	365
	80	310	195	160	135	22	8-φ18	355	280	715	365
	100	350	230	190	160	24	8-φ23	415	320	770	365
	125	400	270	220	188	28	8-φ25	460	360	780	365
	150	480	300	250	218	30	8-φ25	510	400	875	470
	200	600	360	310	278	34	12-φ25	710	400	967	470
250	730	425	370	332	36	12-φ30	786	450	1153	550	
300	750	485	430	390	40	12-φ30	925	500	1292	550	



# 法兰截止阀

**主要外形尺寸 ( mm ) Main External and Connection Dimension**

型号 Type	DN	L	D	D1	D2	b	Z-Φd	手动 manual		电动 Electric	
								H	D0	H	Do
J41H/W/B/Y -40P/R/I J941H/W/B/Y -40P/R/I	15	130	95	65	45	16	4-Φ14	233	120		
	20	150	105	75	55	16	4-Φ14	275	140		
	25	160	110	85	65	16	4-Φ14	285	160		
	32	180	135	100	78	18	4-Φ18	302	180		
	40	200	145	110	85	18	4-Φ18	355	200		
	50	230	160	125	100	20	4-Φ18	373	240	645	365
	65	290	180	145	120	22	8-Φ18	408	280	690	365
	80	310	195	160	135	22	8-Φ18	436	320	715	365
	100	350	230	190	160	24	8-Φ23	480	360	770	365
	125	400	270	220	188	28	8-Φ25	558	400	780	470
	150	480	300	250	218	30	8-Φ25	611	400	875	470
200	600	375	320	282	38	12-Φ30	720	400	1160	550	
J41H/W/B/Y -64P/R/I J941H/W/B/Y -64P/R/I	15	170	105	75	55	18	4-Φ14	195	140		
	20	190	125	90	68	20	4-Φ18	228	160		
	25	210	135	100	78	22	4-Φ18	275	180		
	32	230	150	110	82	24	4-Φ23	325	200		
	40	260	165	125	95	24	4-Φ23	360	240		
	50	300	175	135	105	26	8-Φ23	410	280	710	365
	65	340	200	160	130	28	8-Φ23	450	320	750	365
	80	380	210	170	140	30	8-Φ23	485	360	785	365
	100	430	250	200	168	32	8-Φ25	537	400	837	470
	125	500	295	240	202	36	8-Φ30	631	400	1031	470
	150	550	340	280	240	38	8-Φ34	646	450	1066	540
200	650	405	345	300	44	12-Φ34	813	500	1213	540	
J41H/W/B/Y -100P/R/I J941H/W/B/Y -100P/R/I	15	170	105	75	55	20	4-Φ14	202	120		
	20	190	125	90	68	22	4-Φ18	228	120		
	25	210	135	100	78	24	4-Φ18	250	160		
	32	230	150	110	82	24	4-Φ23	326	200		
	40	260	165	125	95	26	4-Φ23	359	240		
	50	300	195	145	112	28	4-Φ25	414	285	714	320
	65	340	220	170	138	32	8-Φ25	434	320	734	320
	80	380	230	180	148	34	8-Φ25	547	400	847	320
	100	430	265	210	172	38	8-Φ30	621	450	951	320
	125	500	310	250	210	42	8-Φ34	732	500	1142	400
	150	550	350	290	250	46	12-Φ34	840	550	1240	400
200	650	430	360	312	54	12-Φ41	925	550	1425	460	
J41H/W/B/Y -160P/R/I J941H/W/B/Y -160P/R/I	15	170	110	75	52	24	4-Φ18	148	140		
	20	190	130	90	65	26	4-Φ23	156	160		
	25	210	140	100	72	28	4-Φ23	125	180		
	32	230	165	115	85	30	4-Φ25	200	200		
	40	260	175	125	92	32	4-Φ27	231	240		
	50	300	215	165	132	36	8-Φ25	262	250	718	320
	65	340	245	190	152	44	8-Φ30	303	320	743	320
	80	380	260	205	168	46	8-Φ30	341	400	820	320
	100	430	300	240	200	48	8-Φ34	485	450	935	320